



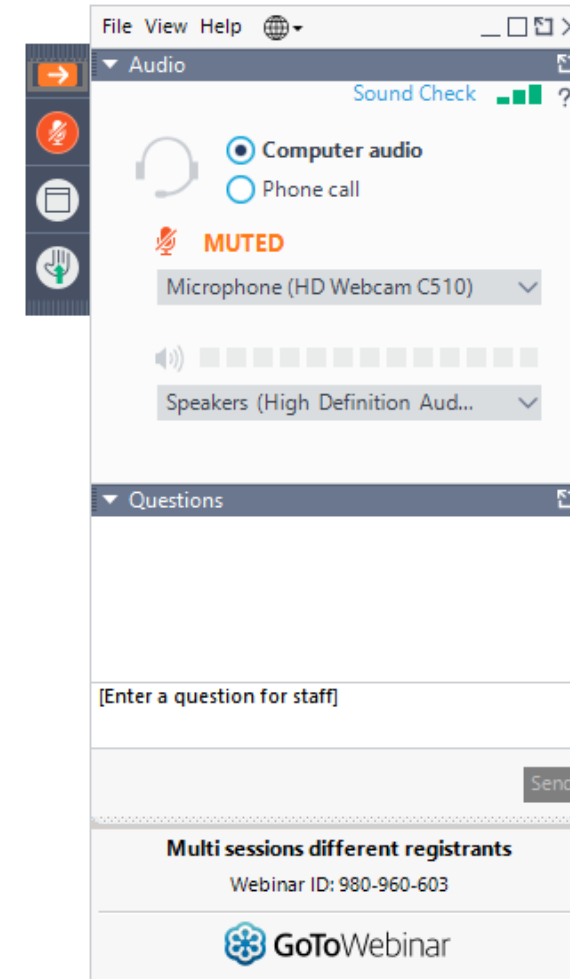
# New SA Government Grid Connection Requirements

SolarEdge Update

October 2020

# Webinar Information

- Audio: PC or phone
- Participants on **mute**
- Submit questions
- Slides & Recording



# Presenter



## Tim Barson

Regional Sales Manager  
South Australia/Western Australia  
[tim.barson@solaredge.com](mailto:tim.barson@solaredge.com)

# What Are We Going to Talk About?



Low Voltage Ride-Through



Remote Disconnection / Connection



Dynamic Export Limits



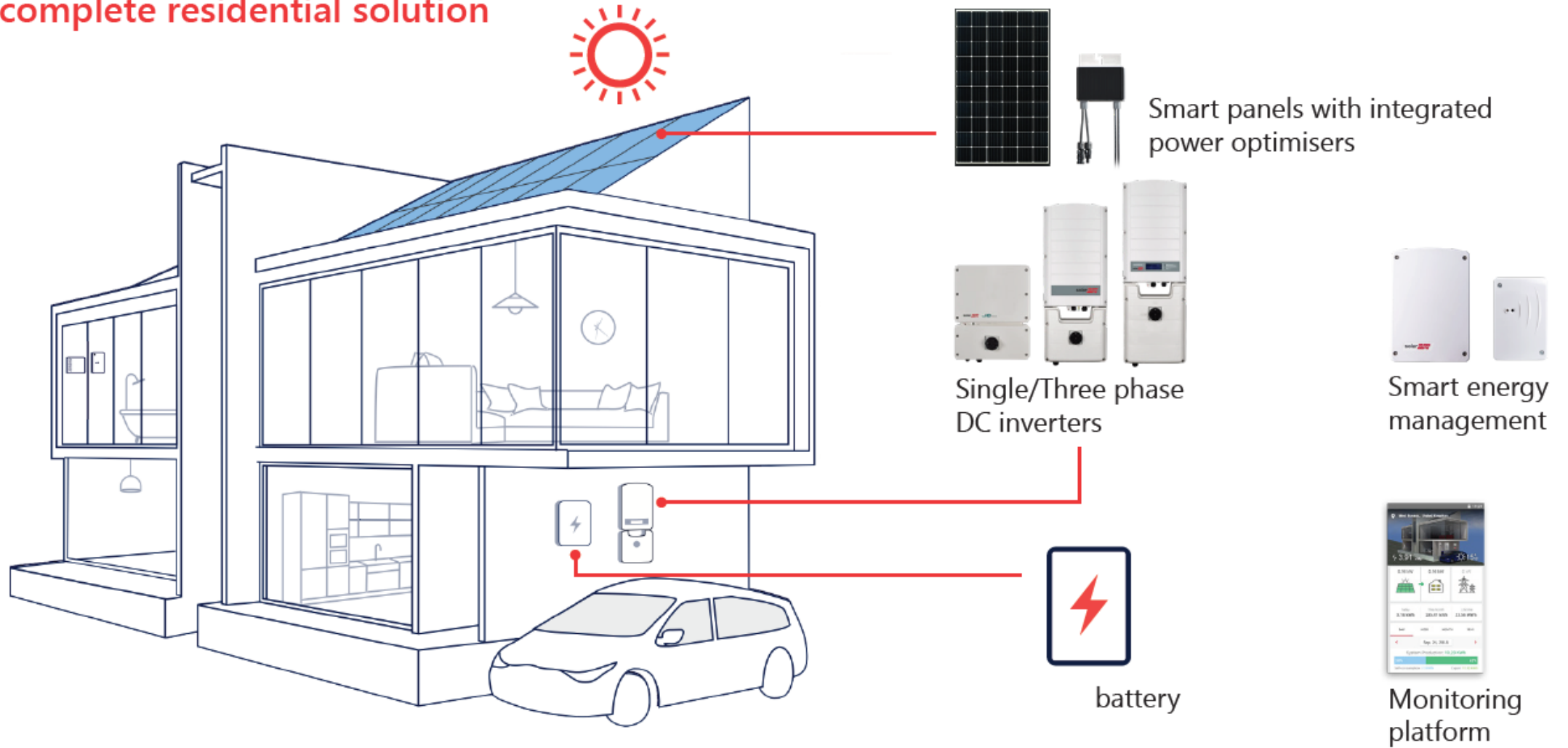
Smart Metering



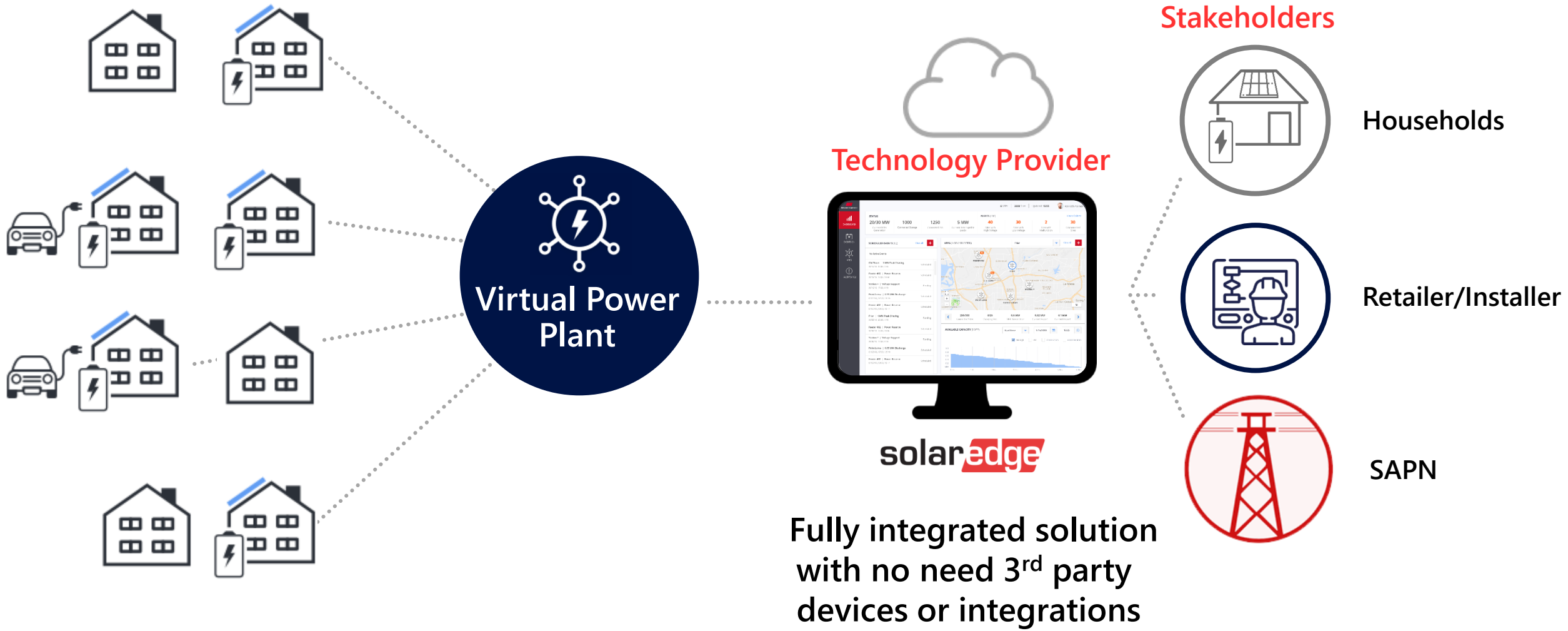
Q&A

# A Complete Residential Solution

A complete residential solution



# SolarEdge End-to-end capability



# Low Voltage Ride Through



# LVRT - SolarEdge Status

## Compliance

- ▮ AEMO Requirement
- ▮ SEDG inverters comply to AS/NZ AS4777.2 2015
- ▮ Internal testing validates compliance
- ▮ OTR submission complete





# VDRT Approved SolarEdge Inverters



**HD Wave**  
SE3000H – SE10000H  
SE3000H + SE5000H EV



**Residential 3Ø**  
SE5K – SE8K



**StorEdge**  
SE5000-AUS + SE6000-AUS



**Commercial**  
SE15K – SE82.8K

# SolarEdge Inverters yet to be submitted



**November**  
**Commercial 3Ø**  
SE30K



**December**  
**Residential 3Ø**  
SE5K – SE10K Hybrid

# Remote Disconnection & Reconnection



# Remote disconnection & reconnection requirement

## Requirement

- ▮ Authorise an Agent
- ▮ Inverter communication
- ▮ Zero Export Method
- ▮ Simple processes



# Remote disconnection & reconnection requirement

## SolarEdge Solution

- ▮ Uses Grid Services platform
- ▮ Native capability
- ▮ Continue production
- ▮ SAPN selected as Agent



# Why SA Power Networks as the Relevant Agent?

## SAPN's capabilities

- Experience managing systems (>200kW)
- SAPN engaged in existing application & connection process
- Service at no additional cost
- 24/7 Operations

## Nominating SAPN as an Agent

- Select SolarEdge technology and SAPN as the Relevant Agent when completing the;
  - SEGS/MEGS Application Form
  - e-Certificate of Compliance
- Installation must comprise the SolarEdge Energy Meter and CT(s)
- Connected to the monitoring portal

# SA RDR Registration Process

1



Support

Corporate

Careers

Education

Media

Login

ENGLISH (AUS)



PV Professionals

Homeowners

Business Owners

Grid Services

Products

Commercial

Commercial Solutions

Export Limitation & Metering

Retrofit

mySolarEdge App for System Owners

Residential

Complete Residential Solution

StorEdge® Solutions

Export Limitation & Metering

mySolarEdge App for System Owners

Professional Services

Shop

Satellite-Based Performance Ratio

Warranty Extension

SA Govt RDR Enrolment

Find a Distributor

COVID-19  
SolarEdge is committed to your safety and future

Learn More



# SA RDR Registration Process

1

Complete the form below to enrol your customer into the remote Disconnection/Reconnection requirement.

Inverter Serial Number\*    ?

NMI\*

Agent\*

I have read and agree to the Terms and Conditions\*

[Proceed to payment](#)

2

Find the details of your order below:

Item	Price	Quantity	Remove	Total
South Australia Grid Remote Disconnect	AUD0.00	<input type="text" value="1"/>	<a href="#">Remove</a>	A\$0.00
				Subtotal A\$0.00
				Total A\$0.00

[Back](#) [Proceed Next](#)

3

Order Billing Information

Please note - the following details will appear on the invoice

First name\*

Last name\*

Email\*

Confirm Email\*

Phone number\*

Site name

Site address\*

[Proceed to payment](#)

4

Email receipt and certificate



# SolarEdge SA RDR Registration



**Residential**  
Free of Charge



**Commercial**  
Free of Charge



**Multiple Inverter Sites**  
Free of Charge

Payments are no-longer required. Inverters still need to be registered on the SolarEdge Website

# What's in it for me?

## For the **Installer / Retailer**



- Integrated single vendor solution
- Simple process with SAPN
- Website registration
- Future system expansion
- VPP ready with 5 Retail Partners

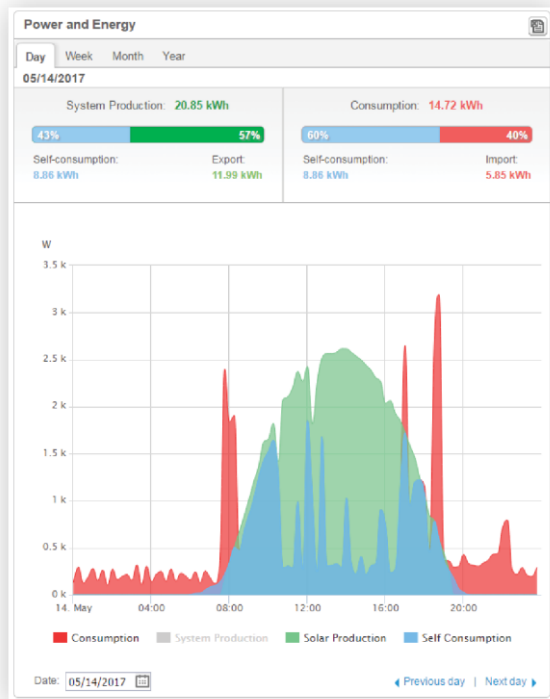
# What's in it for the Homeowner?

## 7 Benefits for the Homeowner



- Simplicity - no 3<sup>rd</sup> party devices
- Min. 5 Year warranty
- No upfront or trailing fees
- Free monitoring for life of system
- Solar power available in zero export mode
- Future proof solar solution
- Choice of VPP plans

# SolarEdge Monitoring & mySolarEdge App



# Dynamic Export Limit Requirements



# Dynamic Export Limit Requirements

## SolarEdge Solution

- ▮ Native capability
- ▮ Energy Meter
- ▮ Flexible
- ▮ Future proofed
- ▮ VPP ready



# SolarEdge Communication Options



RS485



Ethernet



Wi-Fi



# Smart Meter Minimum Standards

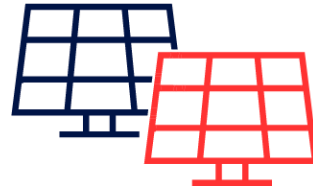




# Smart Meter Minimum Standards



A) Solar inverter can be separately controlled by a meter contactor; and



B) Solar inverter generation can be measured through a separate meter element; and



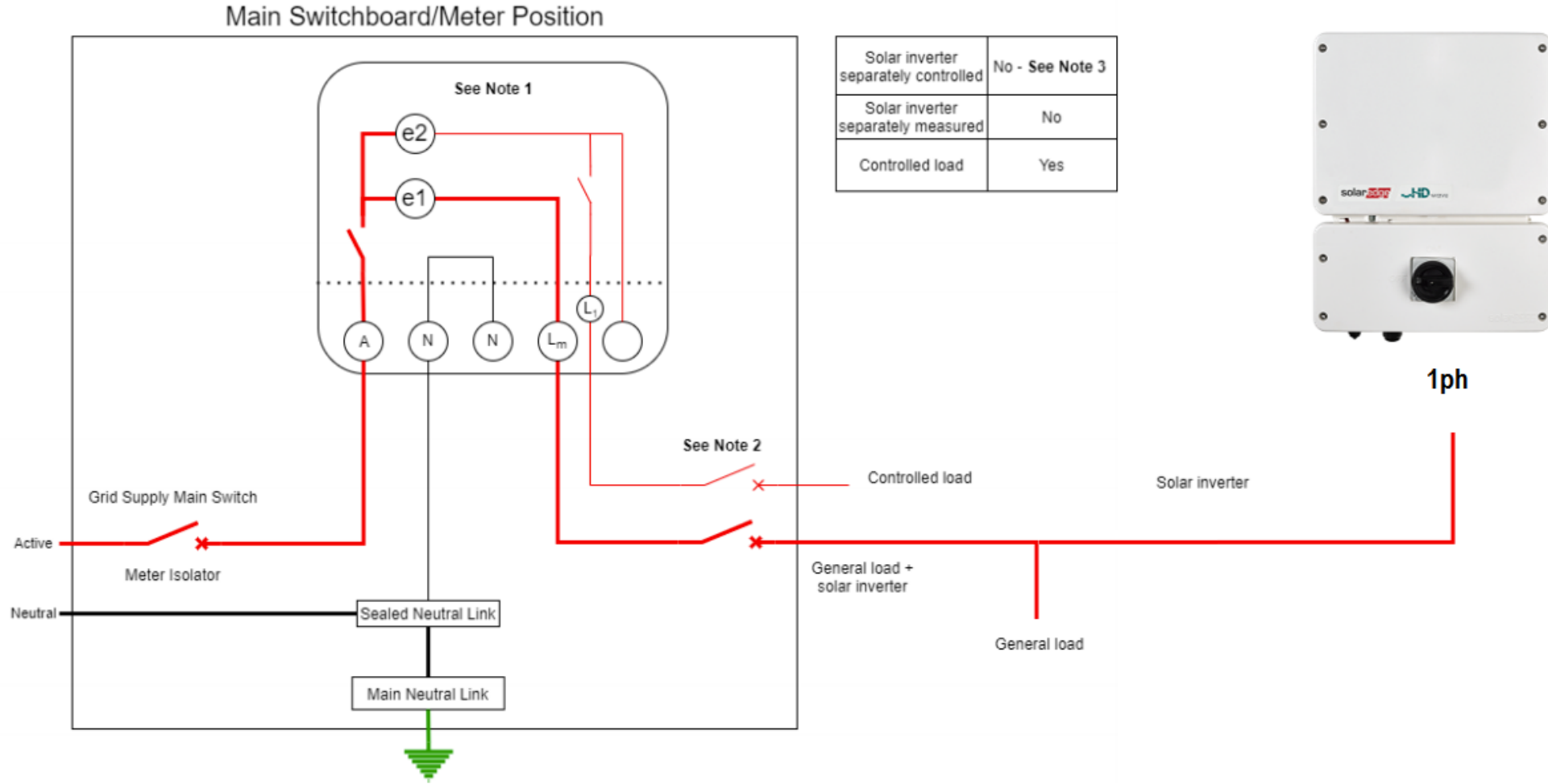
C) The ability to separately control loads such as hot water systems, under-floor heating etc.



SolarEdge recommends the use of Wiring Arrangements 3 and 5

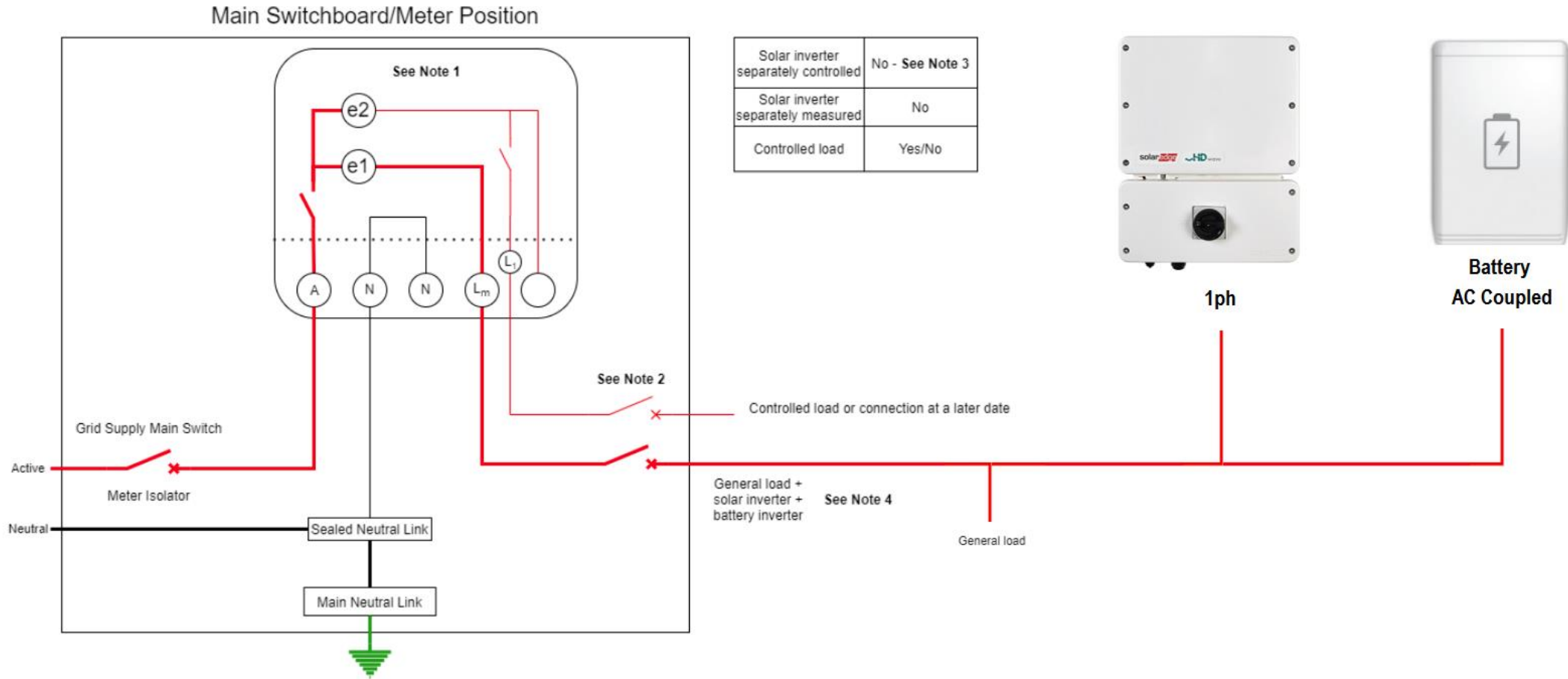
# Recommended SolarEdge Wiring Configuration

## Wiring Arrangement 3



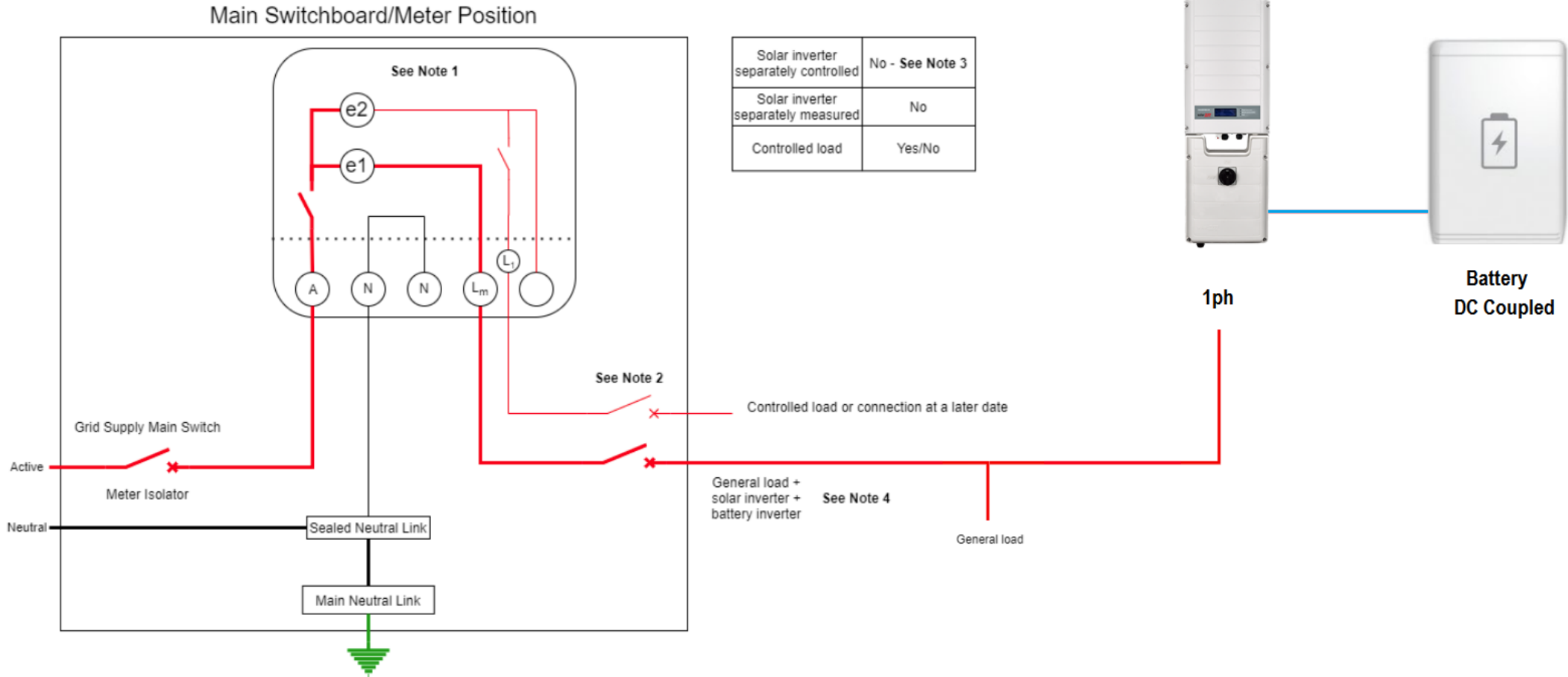
# Recommended SolarEdge Wiring Configuration

Wiring Arrangement 5



# Recommended SolarEdge Wiring Configuration

Wiring Arrangement 5



Questions?



## 1 Do SolarEdge inverters comply with LVRT?

Yes, all our inverters are now on the approved inverters list. All inverters will be officially certified by the March 31, 2021 requirement.

## 2 Can SolarEdge inverters be remotely disconnected and reconnected?

Yes. SolarEdge inverters when connected to the internet have the capability to be remotely controlled

## 3 What hardware do I need to install?

A SolarEdge Energy Meter and the appropriate CT's need to be installed with the inverter so that energy to and from the grid can be measured.

No other 3<sup>rd</sup> party hardware is required, thereby keeping simplifying installation, service and support

**4 Which Relevant Agent does SolarEdge recommend homeowners select?**  
SA Power Networks

**5 Is there anything else I need to do when registering a SolarEdge system?**  
Yes, you will need to ensure the system is connected to the SolarEdge Monitoring Portal and the inverter is enrolled on the SA RDR Registration webpage

**6 When do I need to start enrolling my systems on your website?**  
New systems needed to be enrolled on our website from Oct 12

- 7 Will SolarEdge charge a fee for the RDR Requirement?**  
No. Though initially we indicated there would be a once off fee of \$150, this is no longer the case and the service will be offered Free of Charge.
- 8 Do I still need to register the system?**  
Yes. Systems still need to be registered on the enrollment webpage.
- 9 Can I install a SolarEdge system without Meter and CT?**  
Yes, however the homeowner will not get self-consumption during an event and will then be drawing power from the grid.



## SolarEdge Solution

- ▮ Native capability
- ▮ No 3<sup>rd</sup> party hardware
- ▮ SAPN is Relevant Agent
- ▮ Website registration



# Thank You!

## Cautionary Note Regarding Market Data & Industry Forecasts

This power point presentation contains market data and industry forecasts from certain third-party sources. This information is based on industry surveys and the preparer's expertise in the industry and there can be no assurance that any such market data is accurate or that any such industry forecasts will be achieved. Although we have not independently verified the accuracy of such market data and industry forecasts, we believe that the market data is reliable and that the industry forecasts are reasonable.

Version #: V.1.0  
11/2018/ENG ROW

solar**edge**